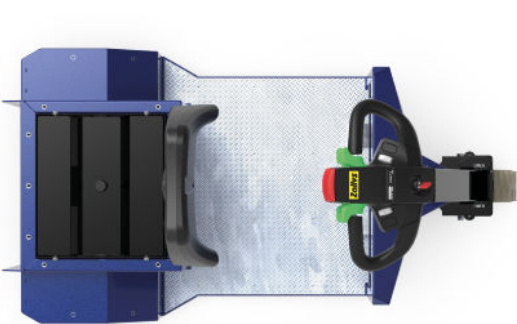
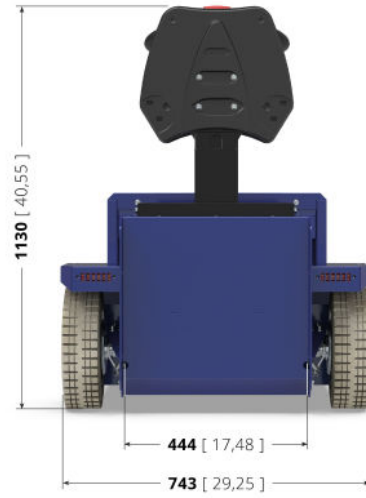
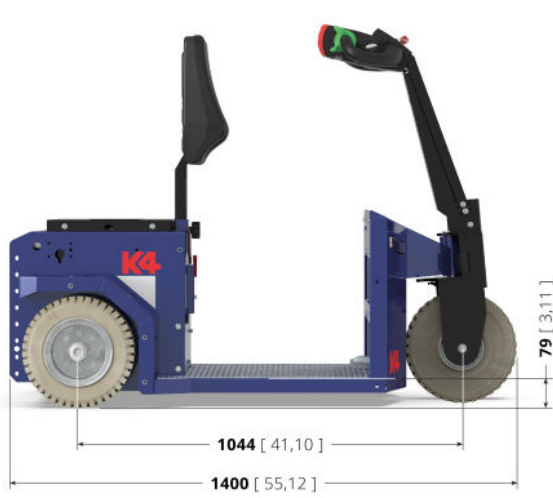




K4



Technical drawing



Technical data

1. Characteristics

Réf.no.	Description		
1.01	Model number		Z184.720===
1.02	Model name		K4
1.03	Manufacturer		Zallys
1.04	Operator		Standing
1.05	Power unit		Electric
1.07	CE certification		
1.08	Plant tension	V	24
1.09	Nominal power	kW	1,50

1. Frame characteristics

Réf.no.	Description		
1.80	Frame made of		Steel
1.81	Basic process		Sandblasting
1.83	Frame treatment		Polyester powder coating

2. Safety data

Réf.no.	Description		
2.01	Dead man safety system		Dead man safety pedal
2.06	Power supply disconnection device / Emergency stop		Detachable power connector
2.07	Lighting device		LED lights kit
2.09	Audible reverse beeper		beeper
2.10	Acoustic signaling		Beeper
2.11	Drive controls		Maintained action switch
2.20	Handarm vibration	m/s ²	<2,5
2.21	Vibration transmitted to the body	m/s ²	1,16
2.22	Noise level at operator's ears	dB	<70

3. Performances

Réf.no.	Description		
3.01	Max. forward speed	km/h	8,0
3.04	Max. backward speed	km/h	8,0

Réf.no.	Description		
3.17	Max. towing capacity on wheels **	kg	3.000
3.28	Max.slope with load *	%	10
3.31	N ° Operators		1
3.36	Max towing force at hook **	N	1500
3.39	Stopping distance in deceleration (without load)	m	1,80
3.42	* Load capacity is subject to kind of slope , kind of floor and operating time		
3.44	** While the force expressed in N at the hook remains unchanged, the following circumstances may affect the towing capacity expressed in KG : type of ground on which the towing is performed, the use (or not) of ballasts and type of wheels mounted on the vehicle and on the trailer		

4. Drive controls

Réf.no.	Description		
4.01	Type of control		Tillerhead
4.02	Type of start control		Butterfly lever
4.04	Speed control		5 speed button assembled on the tiller head

5. Standard battery specifications

Réf.no.	Description		
5.01	Batteries		2
5.02	Batteries type		Traction AGM batteries
5.03	Battery voltage	V	12
5.04	Nominal Capacity 5 h	Ah	105
5.05	Nominal Capacity 20 h	Ah	130
5.06	Weight of each battery	kg	33

6. Available chargers

Réf.no.	Description		
6.41	Multitension	V	110/240
6.42	Plug		In use in the country of destination

6. Technical data of standard charger

Réf.no.	Description		
6.01	Battery charger		External - high frequency

Réf.no.	Description		
6.02.1	Input voltage max	V	230
6.03	Input Frequency	Hz	50-60
6.04	battery charger voltage type		Monophase
6.05	Battery charger capacity	Ah	10
6.06	Power consumption during complete charge cycle	kWh	5
6.07	Operating temperature	°C	-20 / +40
6.08	Operation display		Led
6.09	Input fuse	A	16
6.10	Cooling system		Ventilation cooling
6.11	IP degrees of protection		IP20
6.12.1	Width	mm	120
6.12.2	Length	mm	233
6.12.3	Height	mm	64

7. Drive motor

Réf.no.	Description		
7.03	Engine		Electric
7.04	Electricity		Brushless
7.05	Engine voltage	V	24
7.15	Maximum peak power	kW	1,50

8. Generic technical data

Réf.no.	Description		
8.01	Transmission system		Mechanical
8.02	Transmission lubrication		In oil bath
8.03	Gear reduction		1:32
8.04	Kind of oil		80W-90
8.05	Traction		Rear-wheel drive
8.06	Service brake		Electronic
8.08	Parking brake		Electro-Mechanical

9. Weight

Réf.no.	Description		
9.01	Weight without batteries	kg	158
9.09.5	Weight incl. 105/130A AGM batteries	kg	234

10. Dimensions

Réf.no.	Description		
10.01	Length	mm	1.400
10.02	Width	mm	743
10.03	Height of start control	mm	1.000
10.05	Height	mm	1.130
10.14	Wheelbase	mm	1.045
10.15	Turning circle	m	2,80
10.50	**For further details please click on technical draws		

11. Standard wheels

Réf.no.	Description	
11.01	Drive wheels	2
11.02	Steering wheels	1
11.05	Tyres	Super-elastic non-marking wheel
11.07	Drive wheels type	Turf tires
11.09	Steering wheel type	Turf tires
11.13	Drive tyres size	3.00-4"
11.15	Steering wheel size	3.00-4"