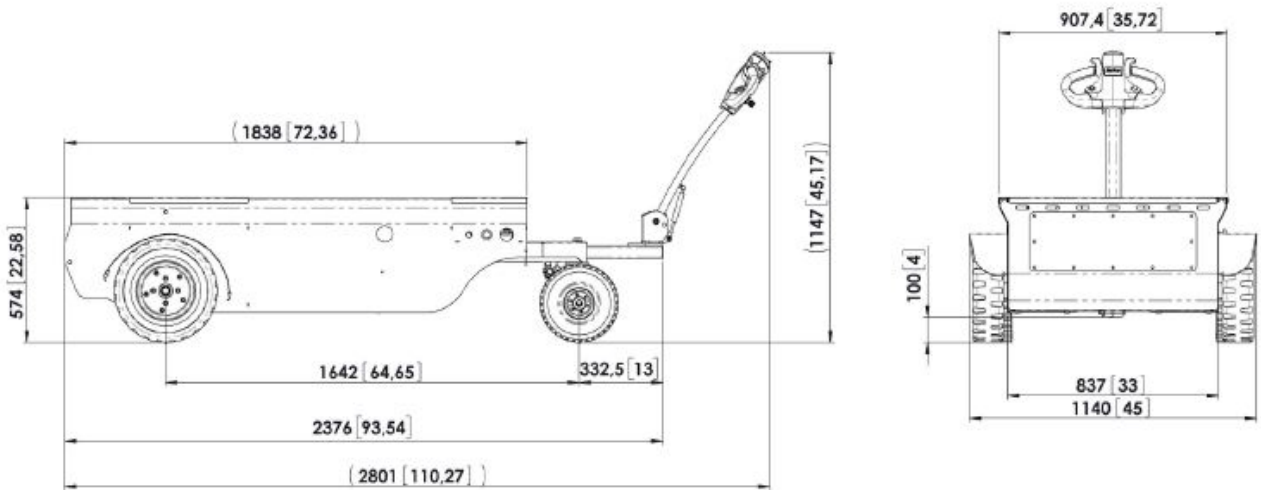




EP 2500  
Electric Pedestrian  
Platform Truck



Dimensions		Tolerance	M.U.	.
10.01	Length		mm	2801
10.02	Width		mm	907
10.03	Height of start control		mm	1147
10.08	Loading platform height		mm	574
10.14	Wheelbase		mm	1642

Technical data of standard charger		Tolerance	M.U.	.
6.01	Battery charger			External - high frequency
6.02	Input voltage		V	230
6.03	Input Frequency		Hz	50-60

