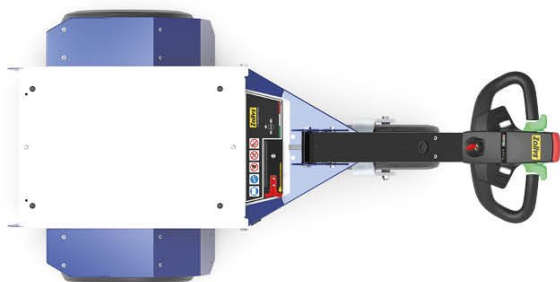
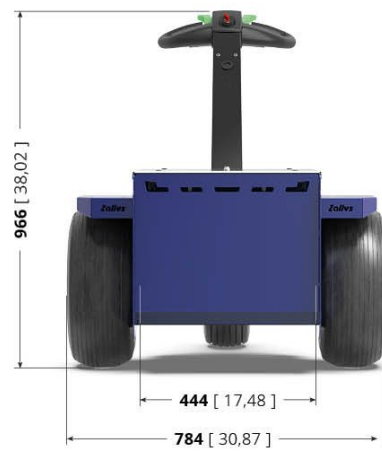
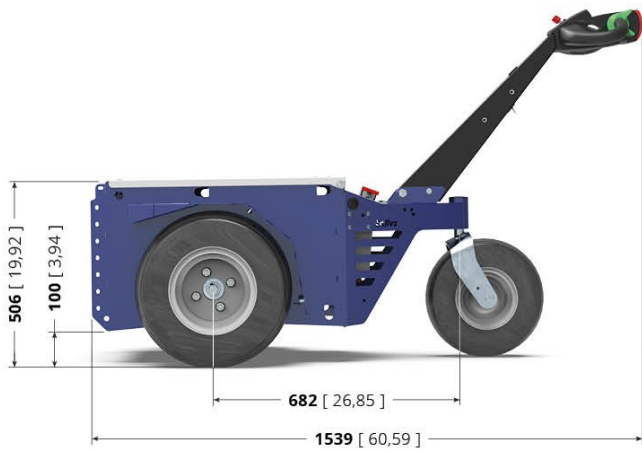




Jobmaster HD



Technical drawing



Technical data

1. Frame characteristics

Réf.no.	Description	U.M.	Valeur
1.80	Frame made of		Steel
1.82	Anti-Corrosion Treatment (on customer demand only)		Cataphoresis
1.83	Frame treatment		Polyester powder coating

2. Safety data

Réf.no.	Description	U.M.	Valeur
2.01	Dead man safety system		Sensor on tiller head
2.02	Emergency reverse button		On tiller head
2.06	Power supply disconnection device / Emergency stop		Detachable power connector
2.10	Acoustic signaling		Beeper
2.11	Drive controls		Maintained action switch
2.20	Handarm vibration	m/s ²	<2,5
2.22	Noise level at operator's ears	dB	<70

3. Performances

Réf.no.	Description	U.M.	Valeur
3.01	Max. forward speed	km/h	5,5
3.04	Max. backward speed	km/h	5,5
3.11	Max.load capacity on flat ground	kg	500
3.17	Max. towing capacity on wheels **	kg	4.000
3.22	Max. towing capacity on Rails **	kg	16.000
3.28	Max.slope with load *	%	15
3.36	Max towing force at hook **	N	1800
3.39	Stopping distance in deceleration (without load)	m	1,1
3.42	* Load capacity is subject to kind of slope , kind of floor and operating time		
3.44	** While the force expressed in N at the hook remains unchanged, the following circumstances may affect the towing capacity expressed in KG : type of ground on which the towing is performed, the use (or not) of ballasts and type of wheels mounted on the vehicle and on the trailer		

3. Stress test and resistance of the continuous cycle machine performed on industrial flooring

Réf.no.	Description	U.M.	Valeur
3.50	Total distance traveled	m	13.500,00
3.51	Full load route without towing	m	80,00
3.52	Full load path with maximum towing	m	80,00
3.54	Weight loaded on the machine	kg	500
3.56	Test duration time	h	4
3.57	Weight towed on trailer with pneumatic wheels	kg	3.500
3.58	Type of batteries	Ah	96
3.59	External temperature	°C	10,00
3.60	Maximum engine temperature peak	°C	71,50

4. Drive controls

Réf.no.	Description	U.M.	Valeur
4.01	Type of control		Tillerhead
4.02	Type of start control		Butterfly lever
4.04	Speed control		5 speed button assembled on the tiller head

5. Standard battery specifications

Réf.no.	Description	U.M.	Valeur
5.01	Batteries		2
5.02	Batteries type		Traction AGM batteries
5.03	Battery voltage	V	12
5.04	Nominal Capacity 5 h	Ah	105
5.05	Nominal Capacity 20 h	Ah	130
5.06	Weight of each battery	kg	33

5. Optional battery specifications

Réf.no.	Description	U.M.	Valeur
5.11	Batteries pcs		4
5.12	Batteries type		Traction AGM batteries
5.13	Battery voltage	V	6
5.14	Nominal Capacity 5/h	Ah	200
5.15	Nominal Capacity 20/h	Ah	240
5.16	Weight of each battery	kg	32
5.17	Weight of each battery	kg	

6. Available chargers

Réf.no.	Description	U.M.	Valeur
6.40	Standard voltage	V	220/240
6.41	Multitension	V	110/240
6.42	Plug		In use in the country of destination

6. Technical data of standard charger

Réf.no.	Description	U.M.	Valeur
6.01	Battery charger		External - high frequency
6.02.1	Input voltage max	V	230
6.03	Input Frequency	Hz	50-60
6.05	Battery charger capacity	Ah	12
6.06	Power consumption during complete charge cycle	kWh	2
6.07	Operating temperature	°C	-20 / +40
6.08	Operation display		Led
6.09	Input fuse	A	5
6.10	Cooling system		Ventilation cooling
6.11	IP degrees of protection		IP20
6.12.1	Width	mm	95
6.12.2	Length	mm	185
6.12.3	Height	mm	55

6. Optional charger specifications

Réf.no.	Description	U.M.	Valeur
6.14	Charger suitable for AGM batteries of	A	50/70
6.15	Battery Charger Capacity	Ah	8
6.18	Power consumption during complete charge cycle	kWh	2
6.19	**for all other details please refer to standard charger specifications		

6. Optional charger specifications

Réf.no.	Description	U.M.	Valeur
6.26	Charger suitable for AGM batteries of	A	200/240
6.27	Battery Charger Capacity	Ah	20
6.28	Input fuse	A	16
6.29.1	Width	mm	145
6.29.2	Length	mm	290
6.29.3	Height	mm	85
6.30	Power consumption during complete charge cycle	kWh	5
6.31	**for all other details please refer to standard charger specifications		

7. Drive motor

Réf.no.	Description	U.M.	Valeur
7.02	Motor code no.		M512.013
7.03	Engine		Electric
7.04	Electricity		Direct current
7.05	Engine voltage	V	24
7.06	Rating (S2 - 5')	kW	1
7.15	Maximum peak power	kW	2,20

8. Generic technical data

Réf.no.	Description	U.M.	Valeur
8.01	Transmission system		Mechanical
8.02	Transmission lubrication		In oil bath
8.03	Gear reduction		1:32
8.04	Kind of oil		80W-90
8.06	Service brake		Electronic
8.08	Parking brake		Electro-Mechanical

9. Weight

Réf.no.	Description	U.M.	Valeur
9.01	Weight without batteries	kg	90
9.09.5	Weight incl. 105/130A AGM batteries	kg	156

10. Dimensions

Réf.no.	Description	U.M.	Valeur
10.01	Length	mm	1.733
10.02	Width	mm	795
10.03	Height of start control	mm	1.320
10.08	Loading platform height	mm	500
10.14	Wheelbase	mm	670
10.15	Turning circle	mm	1.500
10.16	* with tiller in vertical position		
10.50	**For further details please click on technical draws		

11. Standard wheels

Réf.no.	Description	U.M.	Valeur
11.01	Drive wheels		2
11.03	Pivoting wheels no.		1
11.05	Tyres		Pneumatic
11.07	Drive wheels type		Turf tires
11.11	Pivoting wheel type		Grooved tyre
11.13	Drive tyres size		16-6.50-8"
11.17	Pivoting wheel size		13-5.00-6"
11.25	Inflation pressure	bar	1.2 / 1.6

11. Optional wheels

Réf.no.	Description	U.M.	Valeur
11.42	Tyres		Super-elastic non-marking wheel
11.43	Kind of tyres		Turf tyres
11.44	Drive tyres size		4.00-8"
11.47	Pivoting wheel size		4.00-4"
